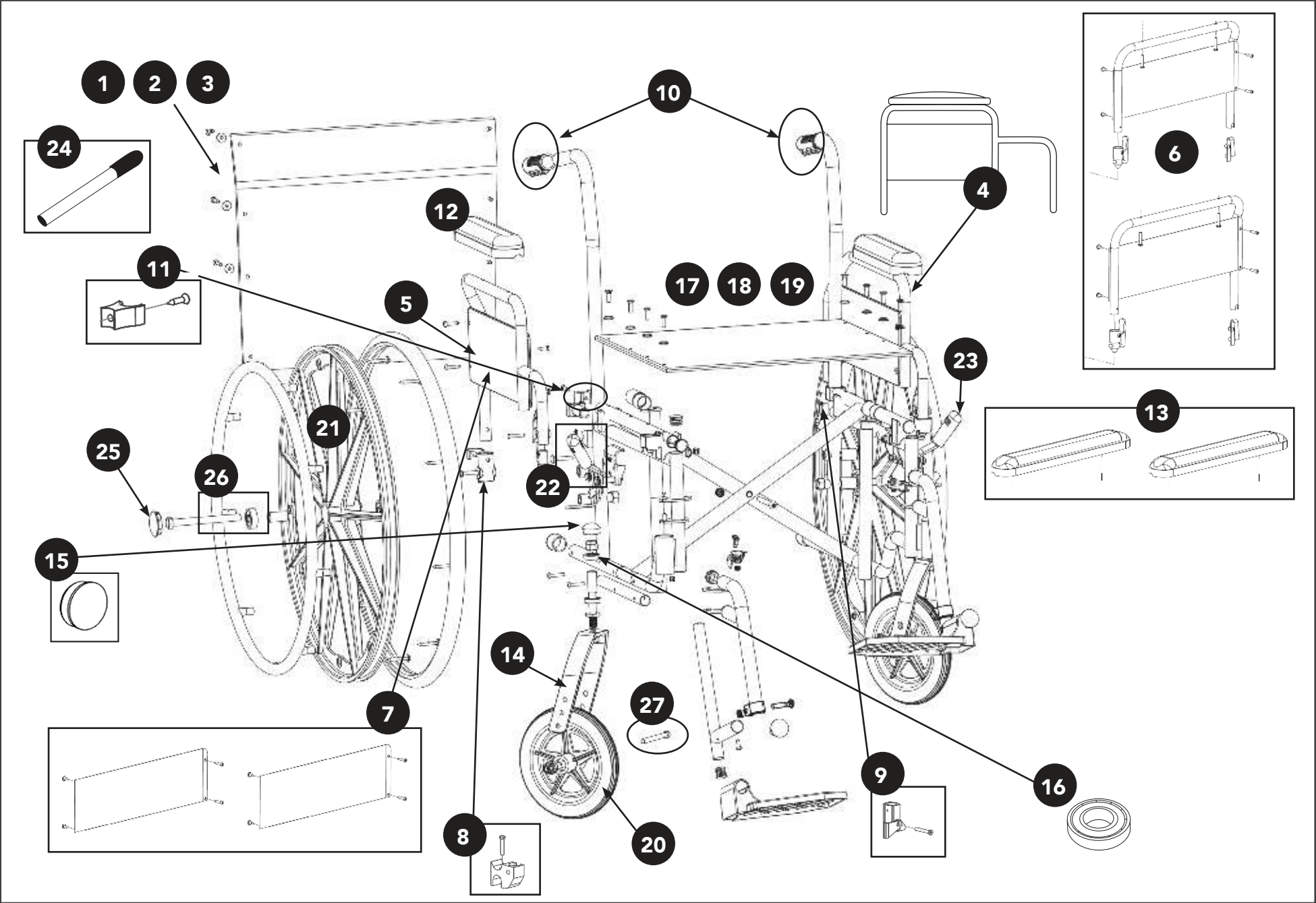


K2 WHEELCHAIR



K2 WHEELCHAIR

| Fig. | Description | MH Part No. |
|-------------------------------|--|------------------|
| K2 REPLACEMENT PARTS | | |
| 1 | Probasics K2 Wheelchair 16" Back Upholstery w/Hardware | X1WC2IM01 |
| 2 | Probasics K2 Wheelchair 18" Back Upholstery w/Hardware | X1WC2IM02 |
| 3 | Probasics K2 Wheelchair 20" Back Upholstery w/Hardware | X1WC2IM03 |
| 4 | Probasics K2 Wheelchair Armrest Assembly, Desk, Left | X1WC2IM04 |
| 5 | Probasics K2 Wheelchair Armrest Assembly, Desk, Right | X1WC2IM05 |
| 6 | Probasics K2 Wheelchair Armrest Assembly, Full, Pair | X1WC2IM06 |
| 7 | Probasics K2 Wheelchair Skirt Guard w/Hardware | X1WC2IM07 |
| 8 | Probasics K2 Wheelchair Right Flip-Back Armrest Detach. Guides Front&Rear w/Hardware | X1WC2IM08 |
| 9 | Probasics K2 Wheelchair Left Flip-Back Armrest Detach. Guides Front&Rear w/Hardware | X1WC2IM09 |
| 10 | Probasics K2 Wheelchair Hand Grips, Pair | X1WC2IM10 |
| 11 | Probasics K2 Wheelchair Seat Rail Guide, Pair | X1WC2IM11 |
| 12 | Probasics K2 Wheelchair Padded Armrest, Desk Length w/Hardware, Pair | X1WC2IM12 |
| 13 | Probasics K2 Wheelchair Padded Armrest, Full Length w/Hardware, Pair | X1WC2IM13 |
| 14 | Probasics K2 Wheelchair Front Fork Assembly | X1WC2IM14 |
| 15 | Probasics K2 Wheelchair Stem Dust Cap for Front Fork | X1WC2IM15 |
| 16 | Probasics K2 Wheelchair Fork Stem Bearings | X1WC2IM16 |
| K1/K2 COMPATIBLE PARTS | | |
| 17 | Probasics K1/K2 Wheelchair 16" Seat Upholstery w/Hardware | X1WCIM01 |
| 18 | Probasics K1/K2 Wheelchair 18" Seat Upholstery w/Hardware | X1WCIM02 |
| 19 | Probasics K1/K2 Wheelchair 20" Seat Upholstery w/Hardware | X1WCIM03 |
| 20 | Probasics K1/K2/K4T/R Front Caster Wheels w/Bearings (Bearing Size - 8mm x 22mm x 9mm) | X1WCIM04 |
| 21 | Probasics K1/K2 Rear Wheel w/Bearings (Bearing Size - 35mm x 11.1mm x 11mm) | X1WCIM05 |
| 22 | Probasics K1/K2 Wheelchair Wheel Lock, Right | X1WCIM06 |
| 23 | Probasics K1/K2 Wheelchair Wheel Lock, Left | X1WCIM07 |
| 24 | Probasics K1/K2/R Wheelchair Wheel Lock Extension | X1WCIM09 |
| 25 | Probasics K1/K2/K4T/R Dust Cap for Rear Wheel | X1WCIM10 |
| 26 | Probasics K1/K2/R Wheelchair Rear Wheel Axle Bolt w/Nut (110MM Length 7/16" Nut) | X1WCIM11 |
| 27 | Probasics K1/K2/K4T/R Caster Axle Bolt w/Nut | X1WCIM12 |
| ACCESSORIES | | |
| | Elevating Legrest | ELR-C |
| | Swing away legs | RSA-C / X1WCIM08 |
| | Anti-tippers | X1WCIMANTI |
| | Seat Belt | PB3065 |